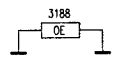
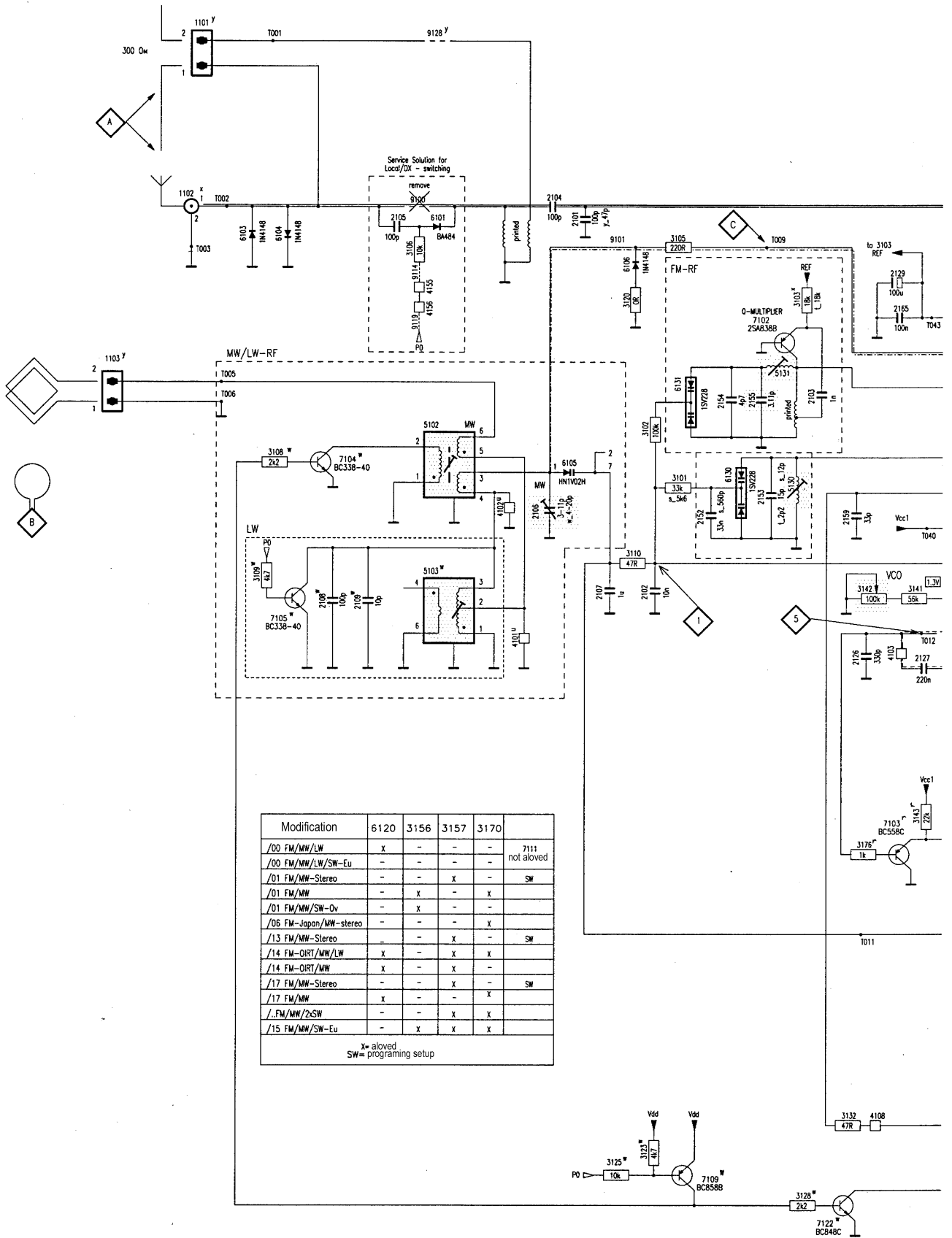
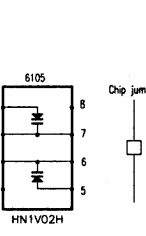
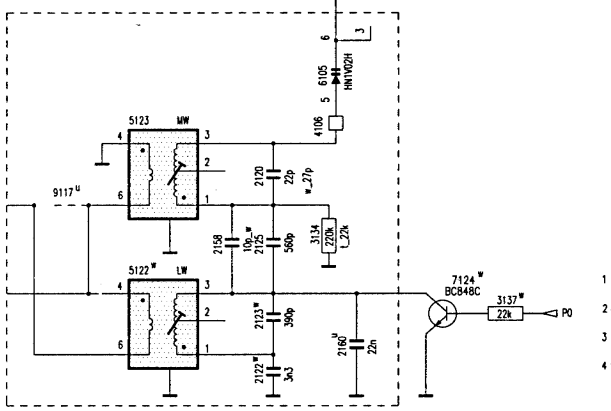
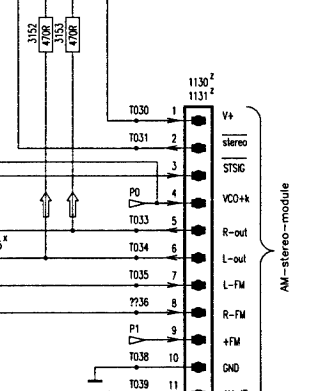
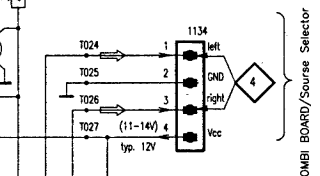
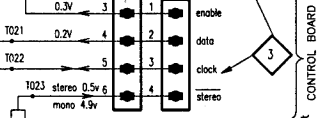
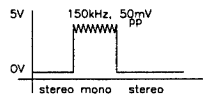
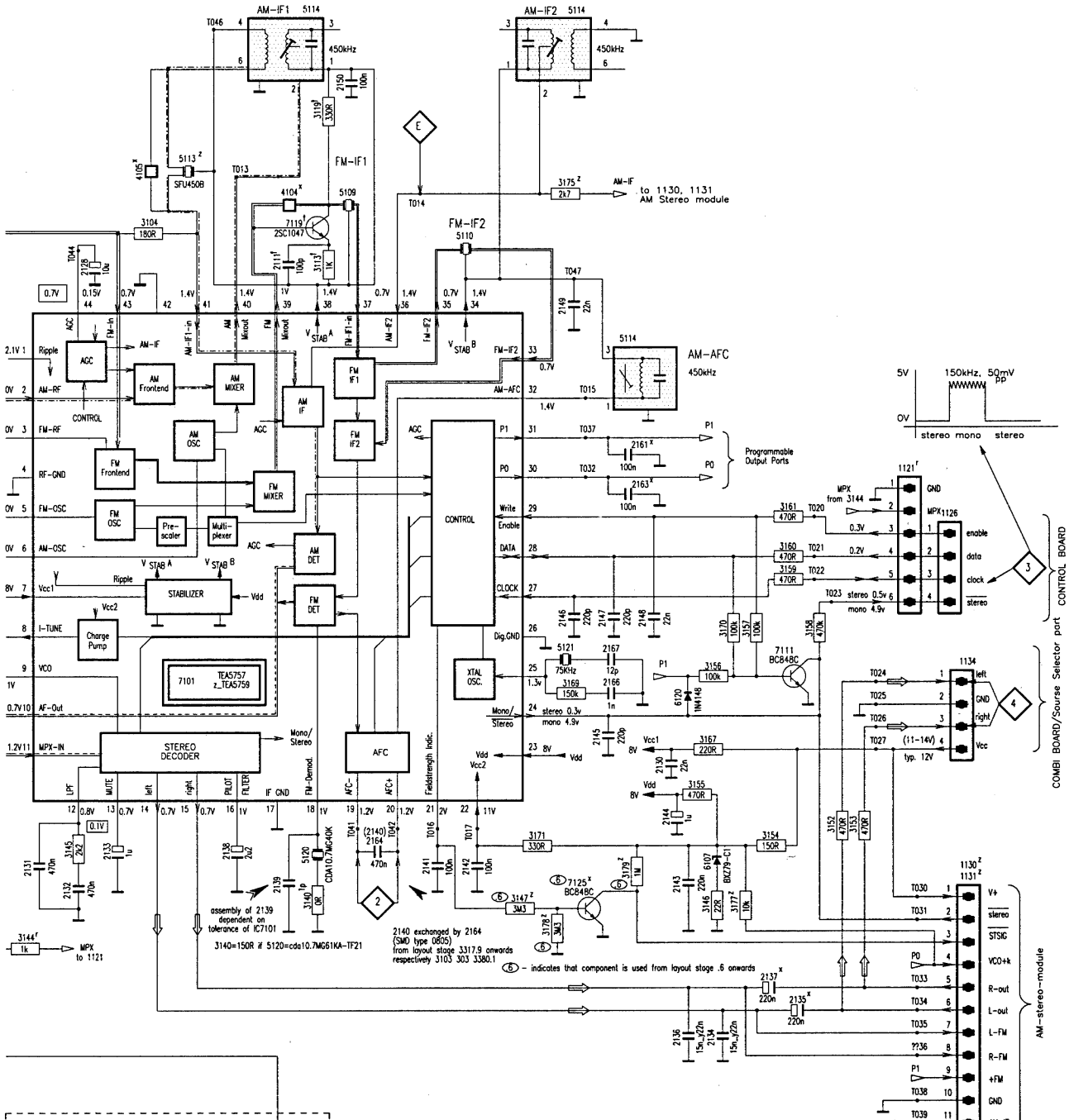


— FM  
 - - - AM  
 - - - AF







- FM
- - - AM
- · · MPX
- · - AF-
- v — Vdc
- v — Vdc cmepeo
- MW
- LW

2140 exchanged by 2164 (SMD type 1655) from layout stage 3317.9 onwards respectively 3103 303 3380.1

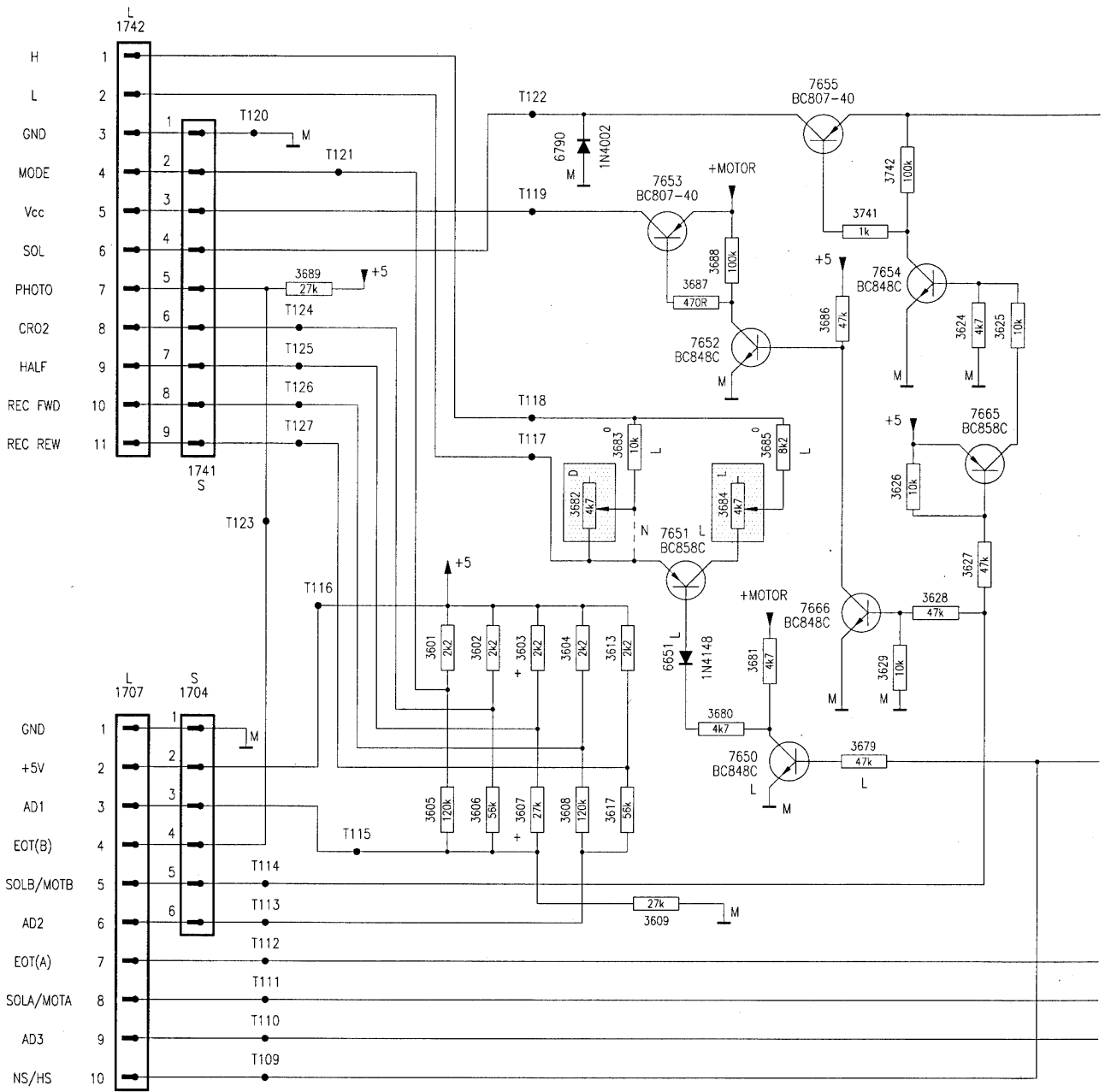
assembly of 2139 dependent on tolerance of IC7101  
3140=150R if 5120=cda10.7W651KA-1F21

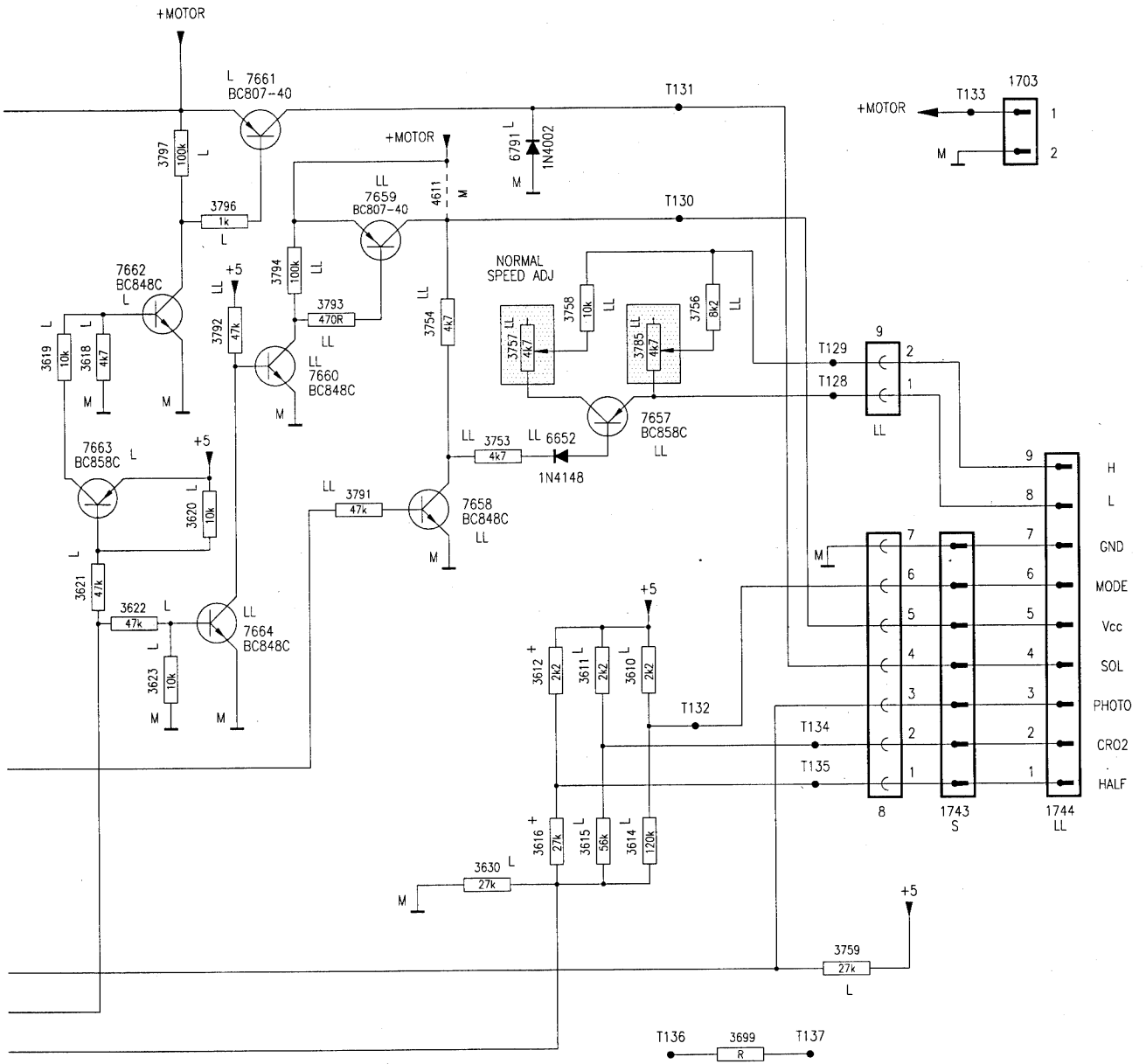
Ⓞ - indicates that component is used from layout stage .6 onwards

CONTROL BOARD

COMBI BOARD/Source Selector part

AM-stereo-module

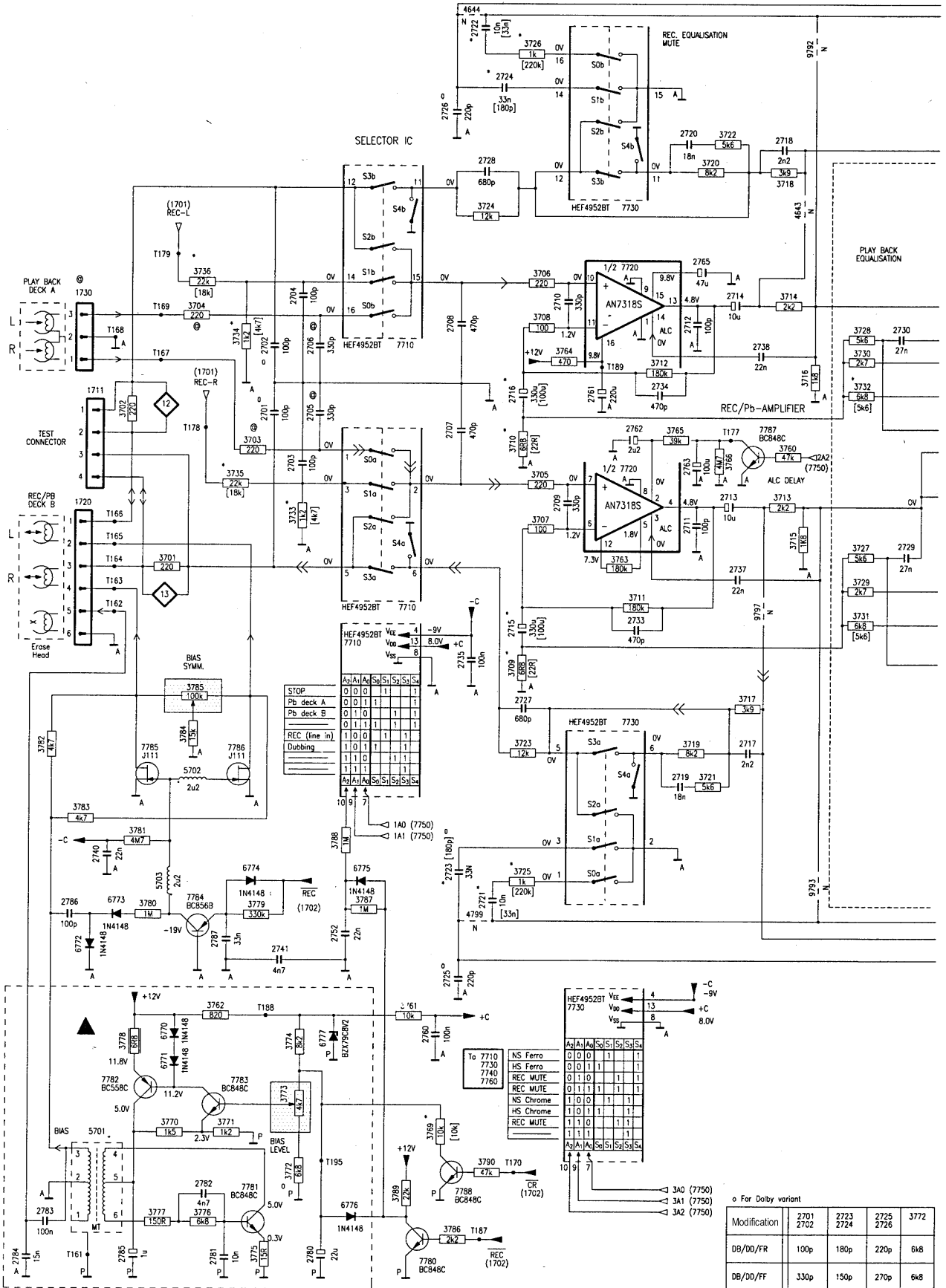




1	ND/SD	1K
2	DB/SD	2K2
3	ND/DD/FR	3K3
4	DB/DD/FR	5K6
5	DB/DD/RR	5K6
6	DB/DD/DM	6K8

3683	DB/DD/FR	8k2
	DB/DD/FF	6k8
3685	DB/DD/FR	10k



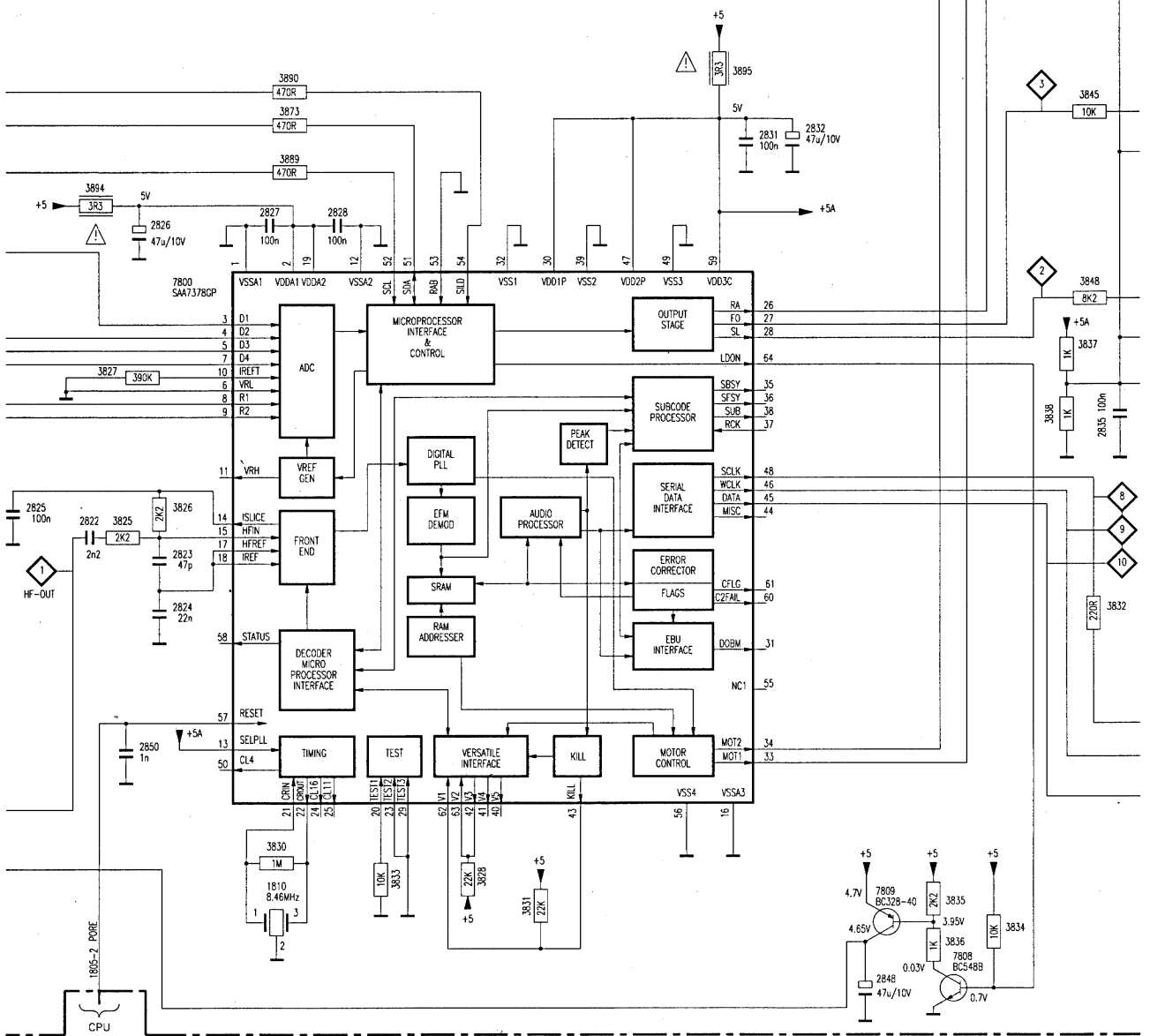
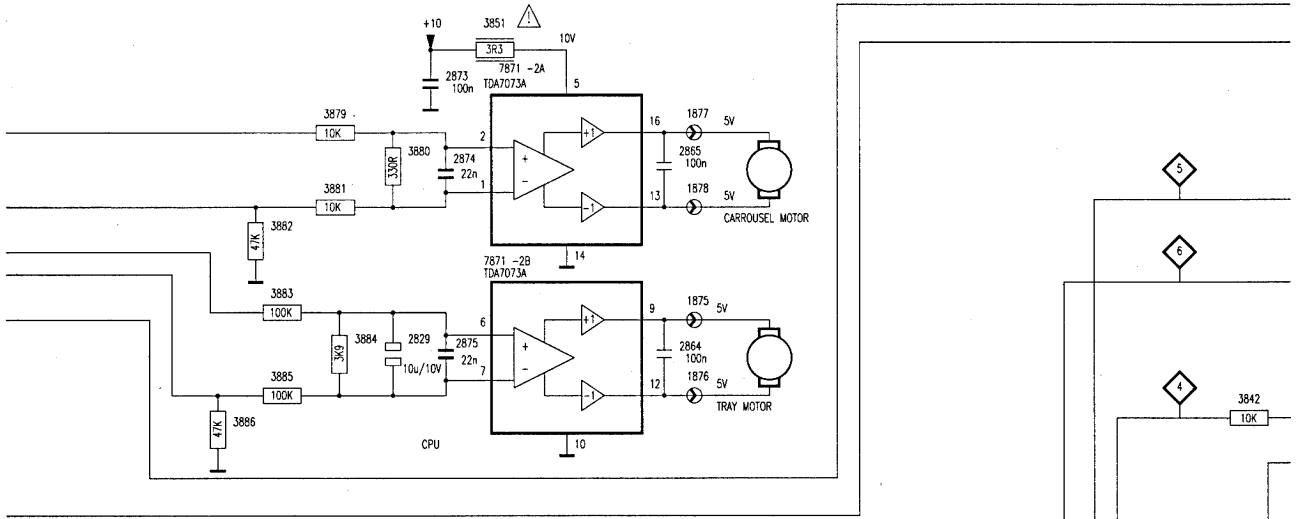


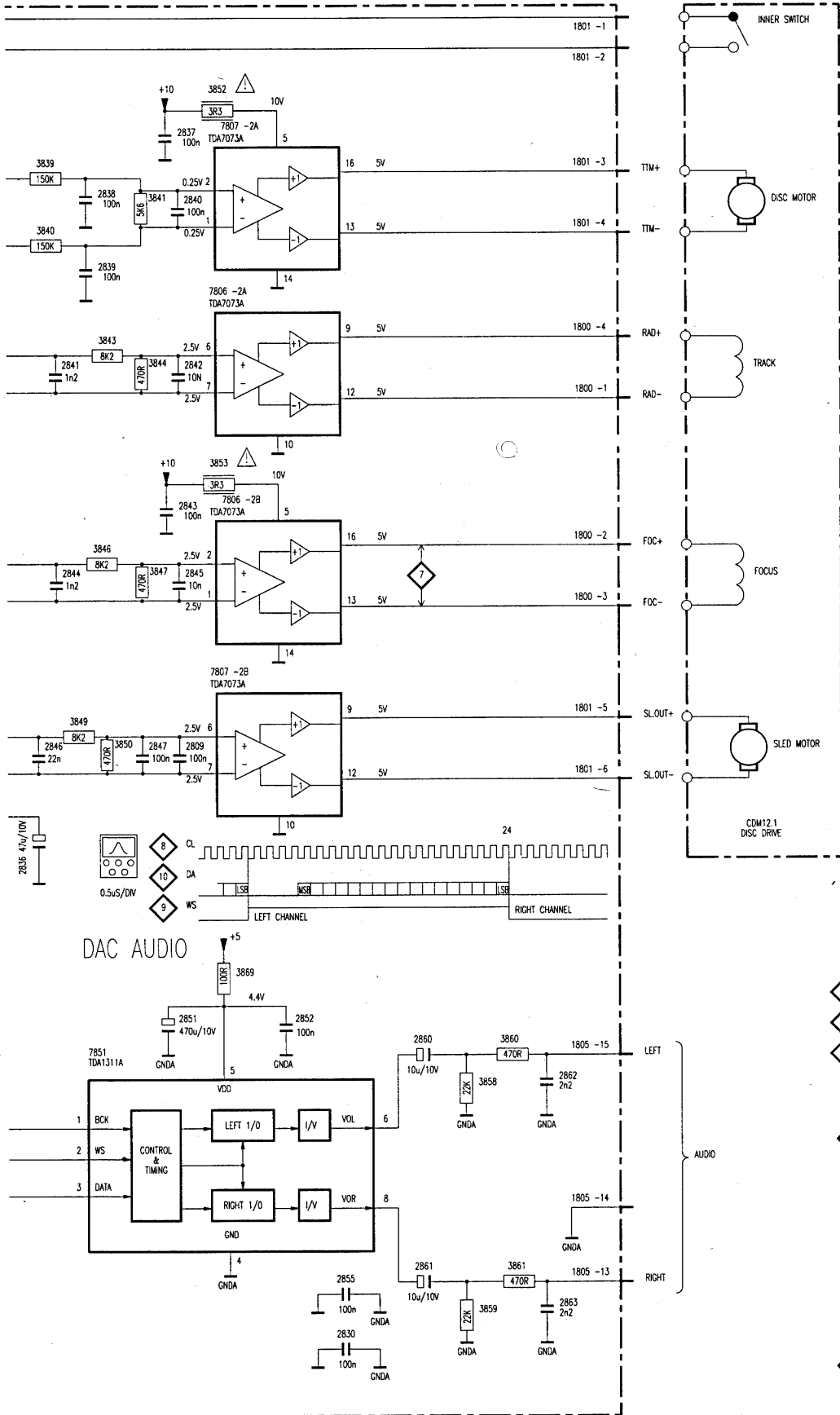
o For Dolby variant

Modification	2701 2702	2723 2724	2725 2726	3772
DB/DD/FR	100p	180p	220p	6k8
DB/DD/FF	330p	150p	270p	6k8

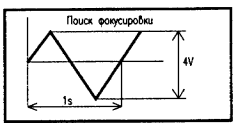
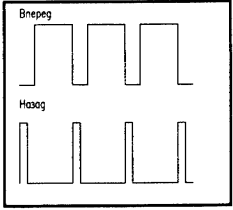
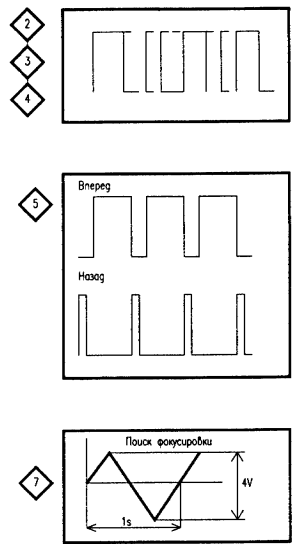


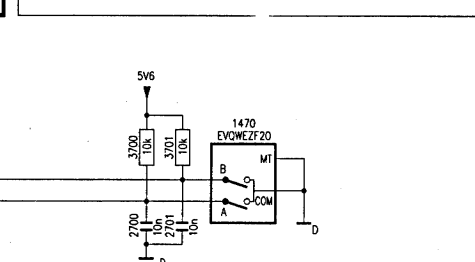
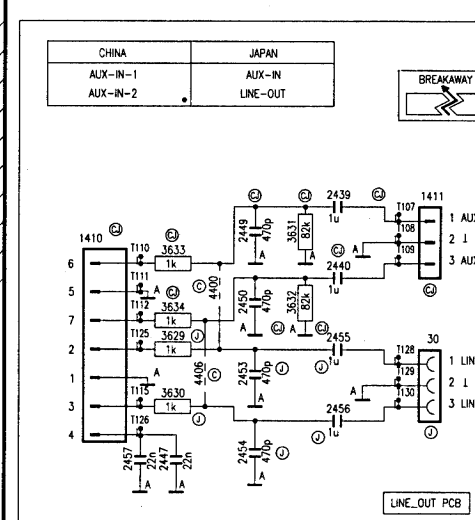
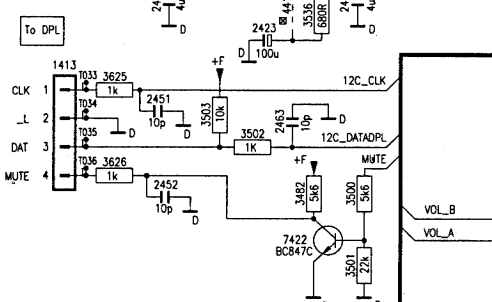
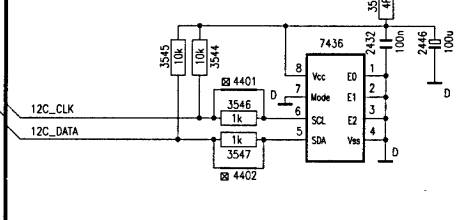
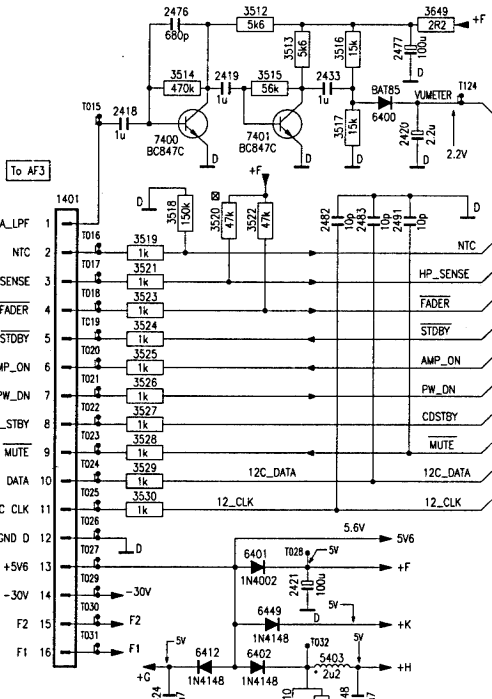
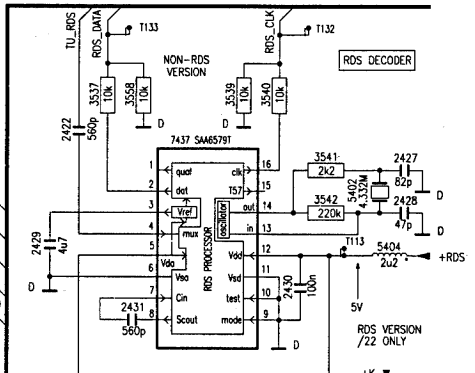
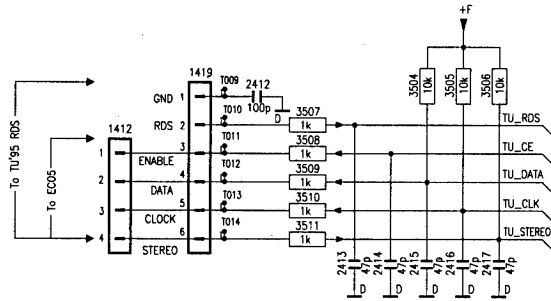




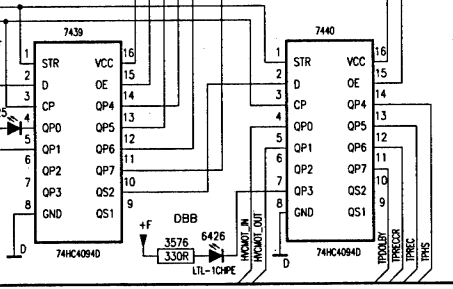
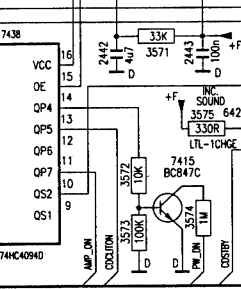
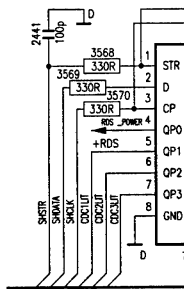
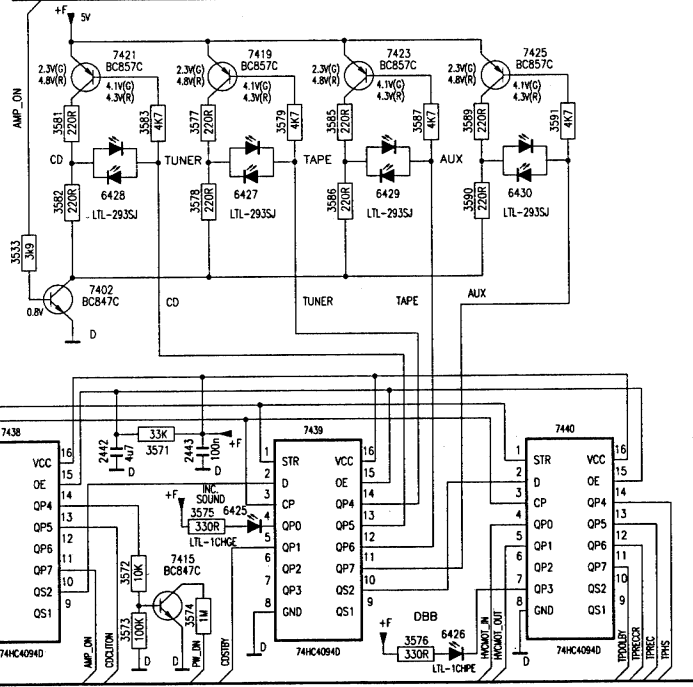
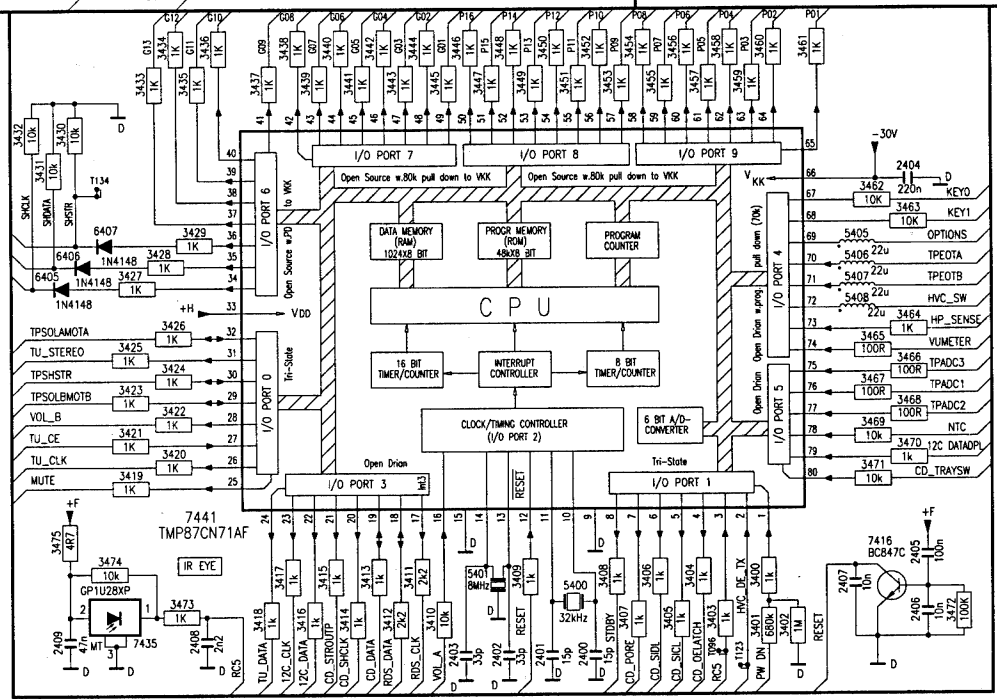
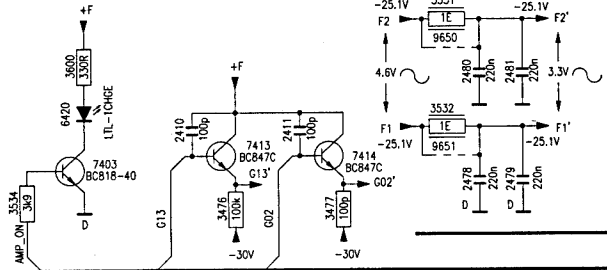
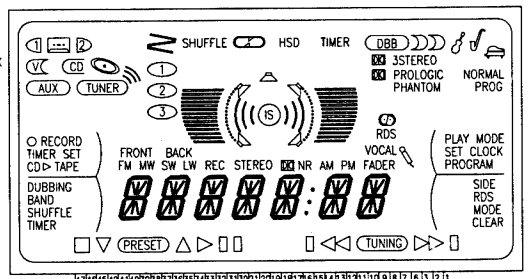


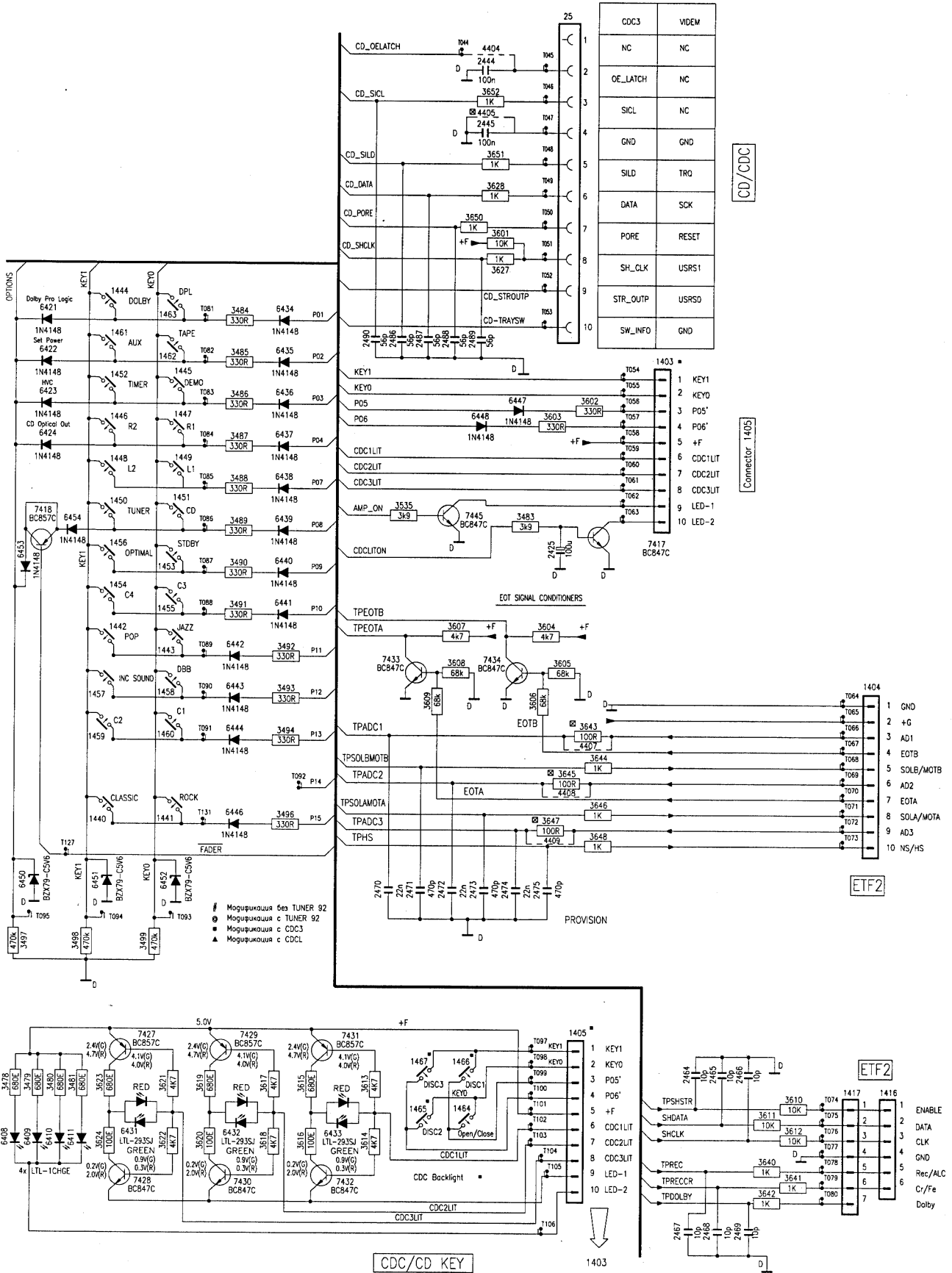
Осциллограммы сигналов





1400  
13-BT-1500K





# Модификация без TUNER 92  
 • Модификация с TUNER 92  
 ● Модификация с CDC3  
 ▲ Модификация с CDCL

ETF2

ETF2

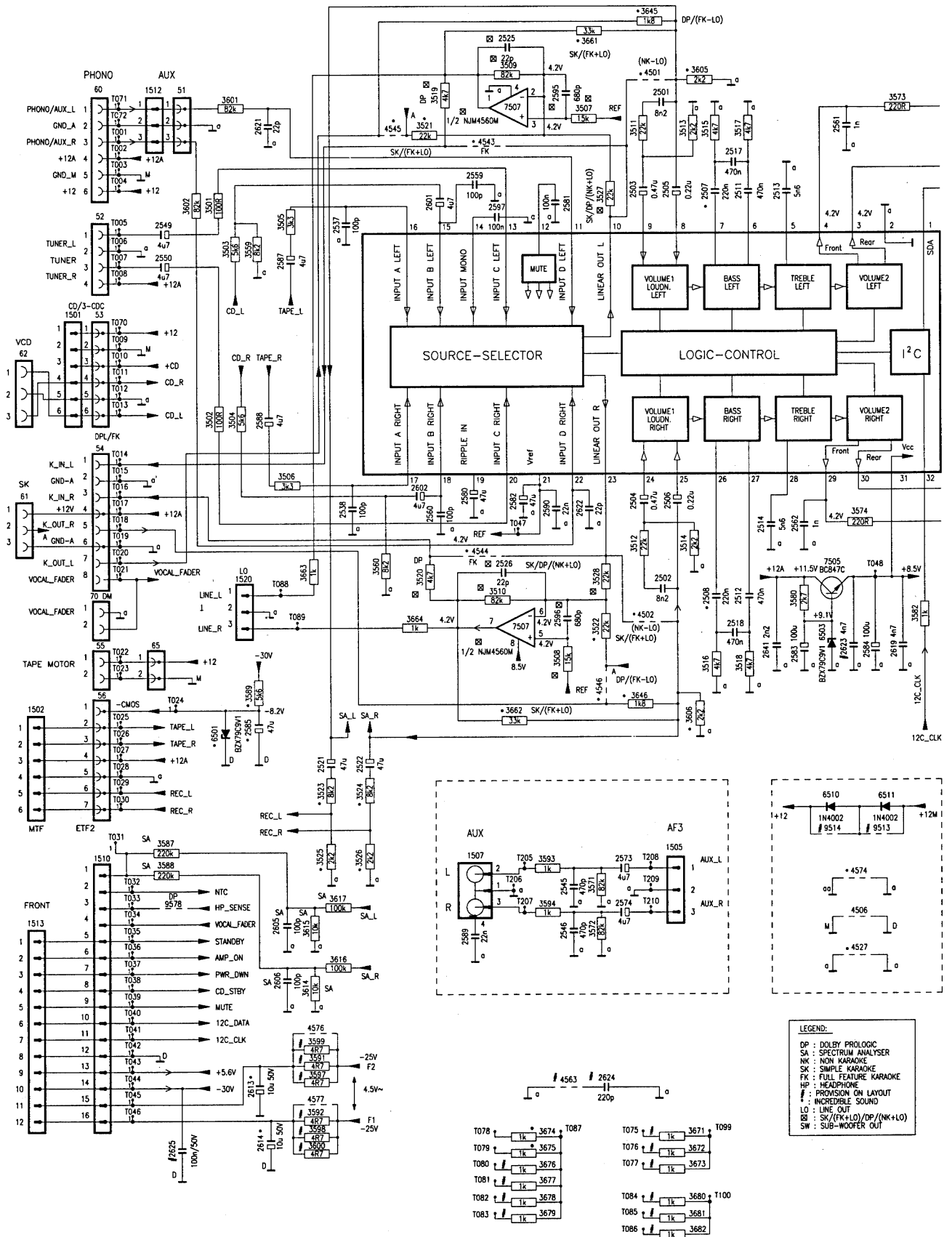
CDC/CD KEY

1403

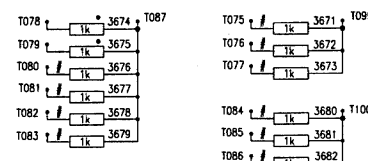
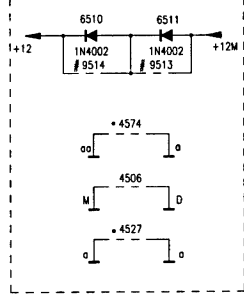
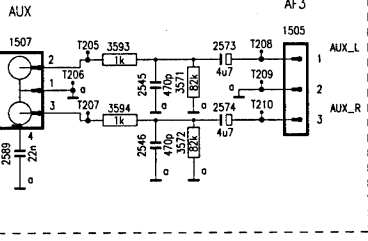
ETF2

ENABLE  
 DATA  
 CLK  
 GND  
 Rec/ALC  
 C//Fe  
 Dolby

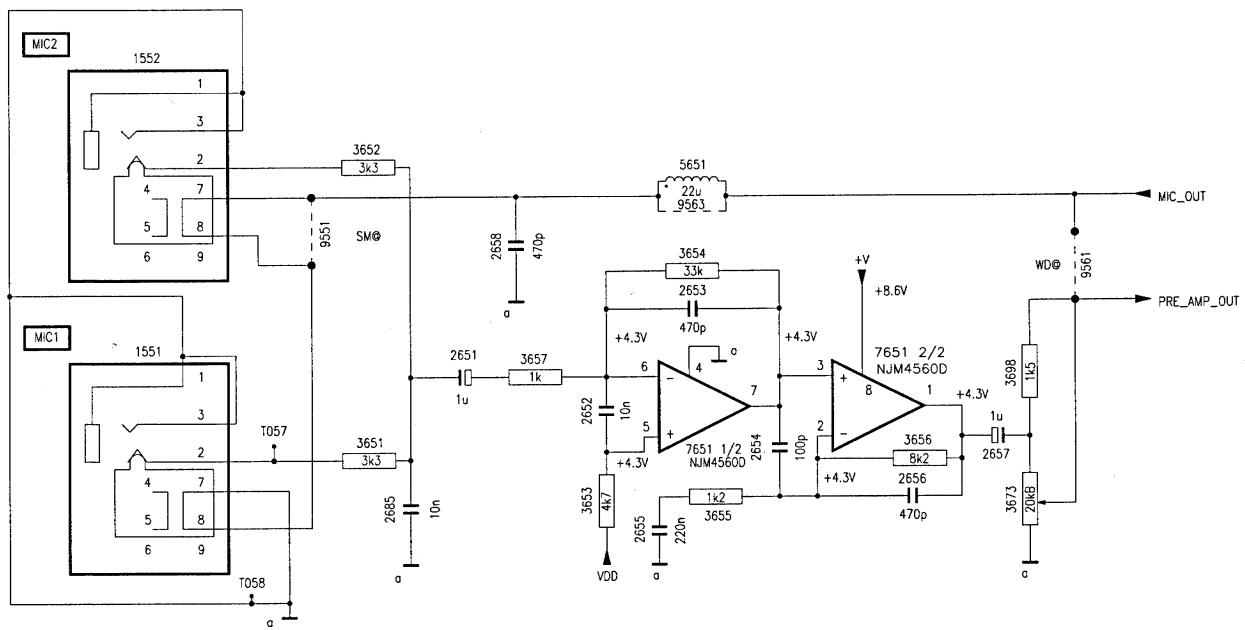
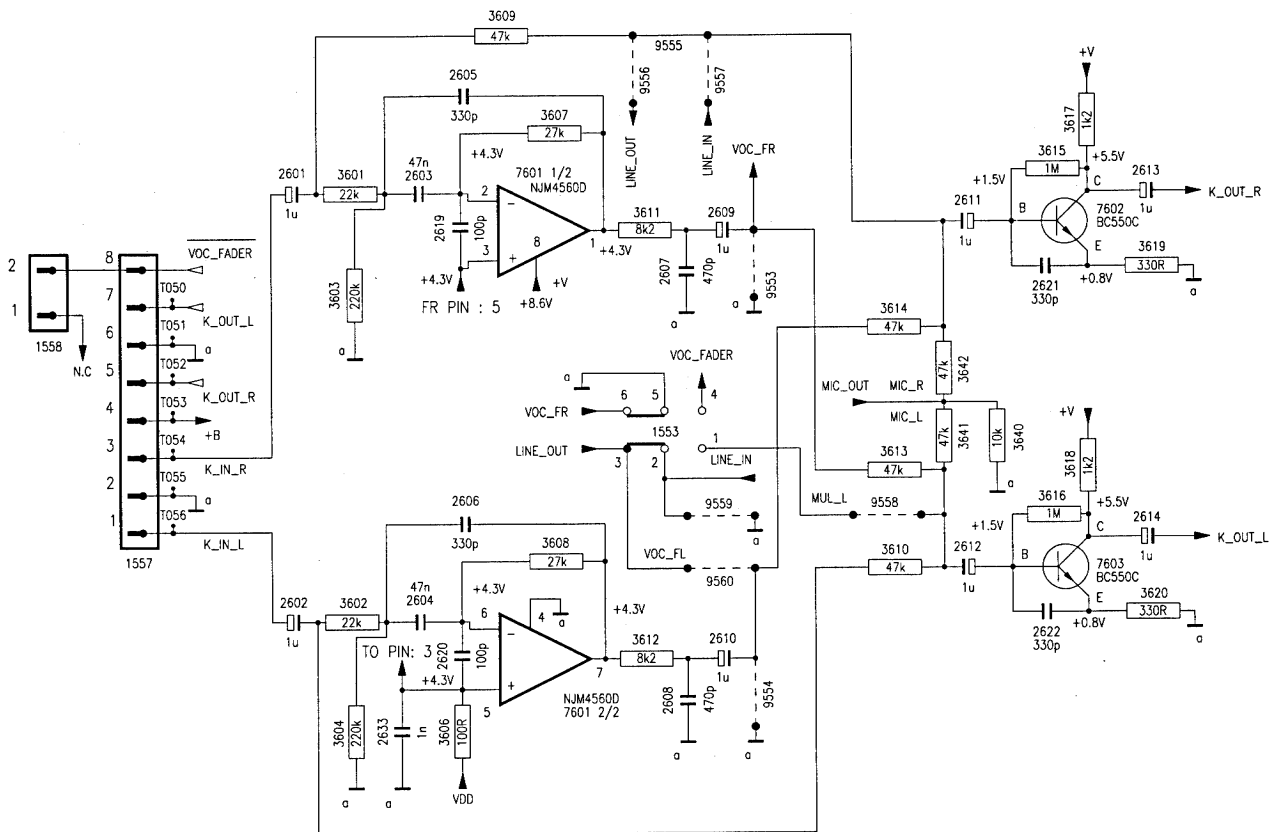


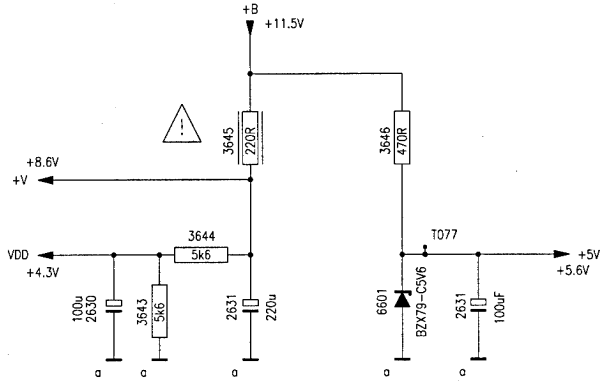


**LEGEND:**  
 DP : DOLBY PROLOGIC  
 SA : SPECTRUM ANALYSER  
 NK : NON KARAOKE  
 SK : SIMPLE KARAOKE  
 FK : FULL FEATURE KARAOKE  
 HP : HEADPHONE  
 # : PROMISION ON LAYOUT  
 \* : INCREDIBLE SOUND  
 LO : LINE OUT  
 BO : SK/(FK+LO)/DP/(NK+LO)  
 SW : SUB-WOOFER OUT



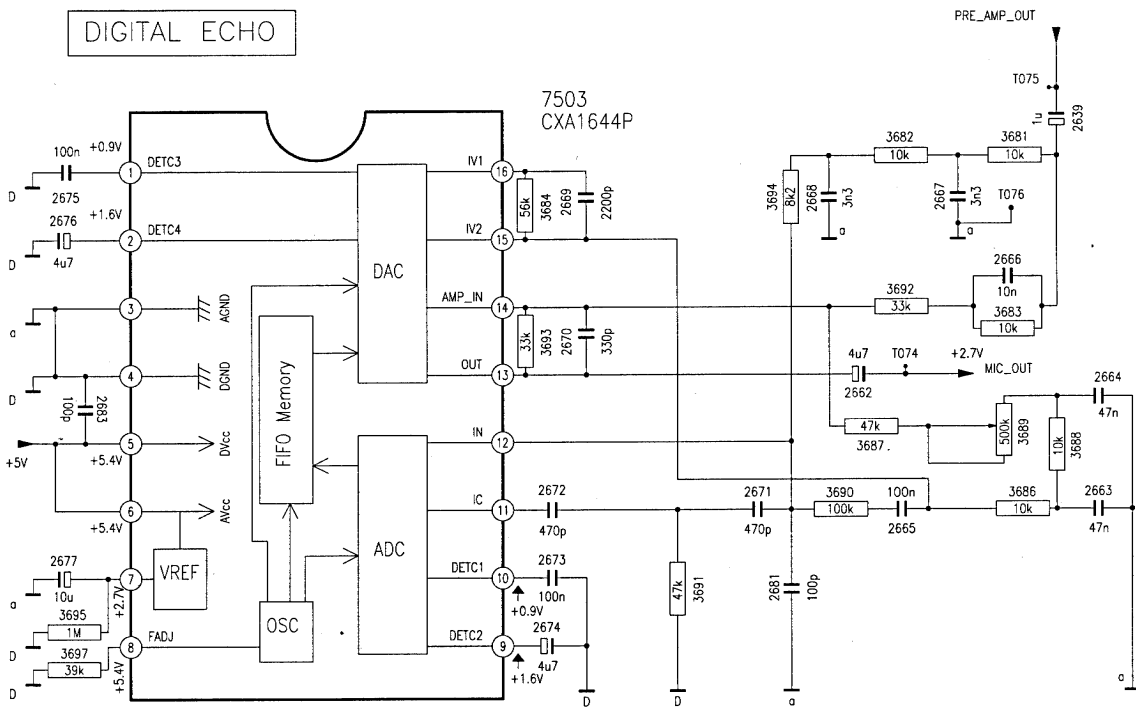


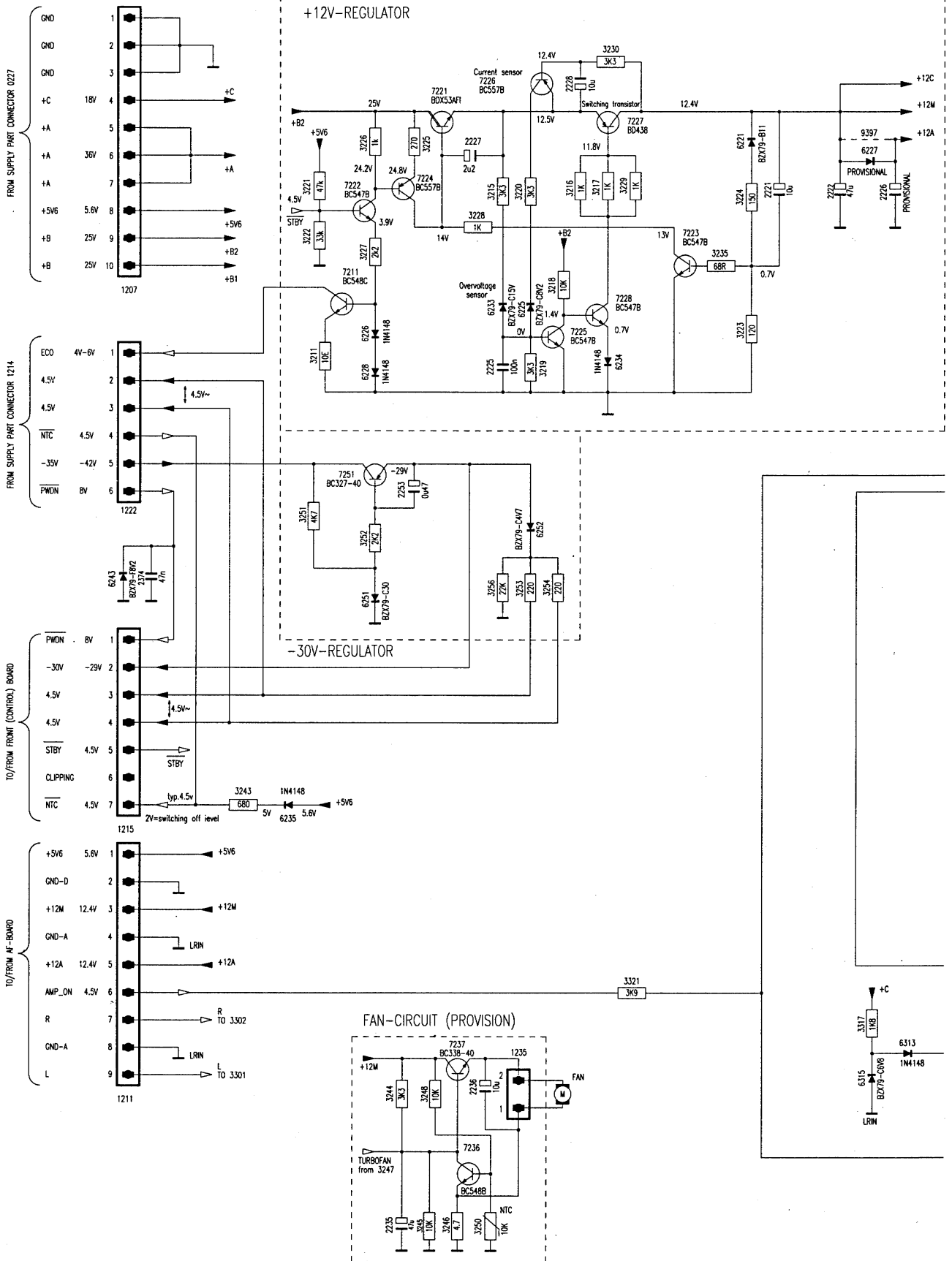




MULTIPLEX 9553, 9554, 9556, 9557, 9558  
 VOCAL FADER 9555, 9559, 9560

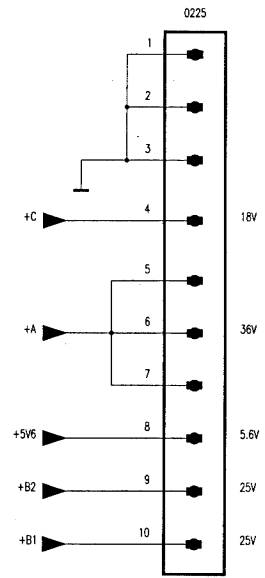
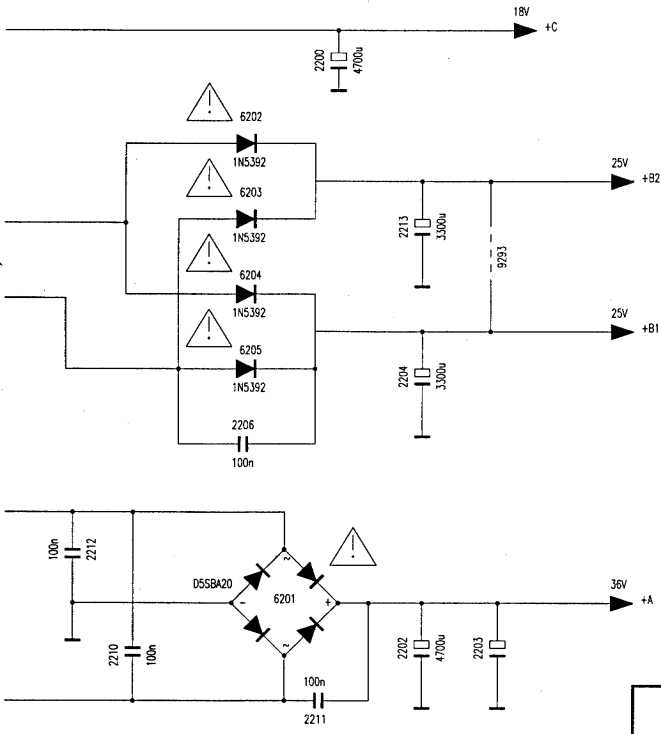
DIGITAL ECHO











Modification	1200	1201	1202	1203 & 1204	1205
/21	T1A	T1A	-	T2.5A	T2.5A
/22	-	T1A	-	T2.5A	T2.5A
/26	-	T2.5A	-	T2.5A	T2.5A
/30	-	-	T1A	T2.5A	T2.5A
/37	-	T2.5A	-	T3.15A	T3.15A

